

DCE PSU 240 IP

INDOOR/OUTDOOR POWER SUPPLY UNIT FOR MARTIN CREATIVE LED FIXTURES

SPEC SHEET



OVERVIEW

The Martin DCE PSU 240 IP is an indoor/outdoor external power supply unit that can supply 48 VDC power and data to Martin Creative LED fixtures and is ideal for install applications. It provides a basic alternative to the P3 PowerPort solutions. It features a rugged extruded aluminum housing, auto-ranging 100-277 VAC power input, and full protection with auto-recovery. It features line-voltage input, Ethernet data input and 1 power+data output for connection of fixtures. It is fitted with internal wiring terminals to facilitate customization of cable lengths on-site and can be wall-mounted.

FEATURES

- Basic indoor/outdoor power supply unit for install Martin Creative LED fixtures
- Ideal for install applications
- Features 1 power & data output for connection of fixtures
- Fitted with internal wiring terminals, to facilitate customization of cable lengths on-site
- Can be wall-mounted
- IP66 rated

ORDERING INFORMATION

- Martin DCE PSU 240 IP:.....P/N MAR-90721203

INCLUDED ITEMS

- 1x Multi-Language Safety & Installation Manual
- Closing plugs installed in all cable glands

RELATED ITEMS

- Martin P3 PowerPort 2000.....P/N MAR-90721200
- Martin P3 PowerPort 500 IP RentalP/N MAR-90721201
- Martin P3 PowerPort 500 IP Install..... P/N MAR-90721202
- Martin DCE DataSplitterBooster IP.....P/N MAR-90721204
- Martin Companion Firmware Upload, Addressing and Stand-Alone Programming Software Free download from martin.com

DCE PSU 240 IP

INDOOR/OUTDOOR POWER SUPPLY UNIT FOR MARTIN CREATIVE LED FIXTURES

SPEC SHEET

ACCESSORIES

Pre-Assembled Hybrid DCE Cables

- DC + Ethernet Cable DCE-DCE 1m: P/N MAR-91700100
- DC + Ethernet Cable DCE-DCE 2.5m: P/N MAR-91700101
- DC + Ethernet Cable DCE-DCE 5m: P/N MAR-91700102
- DC + Ethernet Cable DCE-DCE 10m: P/N MAR-91700103
- DC + Ethernet Cable DCE-DCE 25m: P/N MAR-91700104

Bulk Hybrid DCE Cables

- DC + Ethernet Cable 100m: P/N MAR-91700105
- DC + Ethernet Cable LSZH 100m: P/N MAR-91700106

Field-Installable DCE Connectors

- Field-installable Connector DCE Male: P/N MAR-91700107
- Field-installable Connector DCE Female: P/N MAR-91700108

Closing Caps for DCE Connectors

- Closing Cap Male DCE Connector: P/N MAR-91700109
- Closing Cap Female DCE Connector: P/N MAR-91700110

Hybrid DCE Adapters

- DC + Ethernet Adapter DCE Male-Male: P/N MAR-91700111
- DC + Ethernet Adapter DCE Female-Female: ... P/N MAR-91700112
- DC + Ethernet Adapter EtherCON+Wires to DCE: P/N MAR-91700113
- DC + Ethernet Adapter DCE to EtherCON: P/N MAR-91700114

TECHNICAL SPECIFICATIONS

CONSTRUCTION

Color: Clear Anodized Aluminum
Housing Material: Aluminum
Protection Rating: IP 66
NEMA Enclosure Rating: Type 4X
Impact Resistance: IK 08
Corrosion Resistance: ISO 12944-6: 2018; C5 High, Test regime ISO 9227, 1440h
Vibration Resistance: 1.0g Sinusoidal (IEC 60068-2-6) and 0.7g RMS Random (IEC 60068-2-64)

INSTALLATION

Orientation: Any
Mounting: Flanges for installation on flat surface
Location: Indoor or permanent outdoor use

CONNECTIONS

Power Input: Toolless terminal block
Cable Gland: 1x M20*1.5 (power input, supporting cables 8-13 mm) incl. closing plug
Ethernet Input: Toolless splice connection
Cable Gland: 1x M12*1.5 (ethernet input, supporting cables 5-8 mm) incl. closing plug
DC Power output: Toolless terminal block
Network output: Toolless splice connection

Cable Gland: 1x M20*1.5 (DC power and network output, supporting cables 6.5-10.5 mm) incl. closing plug

Surge protection: 4 KV
All connections hot plugging compatible

OUTPUT PORTS

Quantity: 1
Power: 48 VDC / 5 A
Ethernet: 100Mbit (P3, sACN, Art-Net)

ELECTRICAL

AC power: 100-277 V AC nominal, 50/60 Hz
Power supply unit: Auto-ranging electronic switch mode
Typical half-cycle RMS inrush current at 230 V, 50 Hz: 6.7 A
Typical earth-leakage current: ... 0.50 mA
Power Factor: 0.96 @ 100 V / 120 V, 0.95 @ 208 V / 230 V / 240 V / 277 V
Max current draw: 3.0 A @ 100 V / 120 V, 1.5 A @ 208 V / 230 V / 240 V, 1.2 A @ 277 V
Typical current draw: 2.8 A @ 100 V / 120 V, 1.3 A @ 208 V / 230 V / 240 V, 1.0 A @ 277 V *
Power Consumption:
Maximum: 240 W
Typical: 240 W *
Idle: 3 W *

* Measurements made at nominal voltage. Allow for a deviation of +/- 10%.
Typical: output at full capacity with all connected fixtures at full output white.
Idle: output at full capacity with all connected fixtures at zero output.

DCE PSU 240 IP

INDOOR/OUTDOOR POWER SUPPLY UNIT FOR MARTIN CREATIVE LED FIXTURES

SPEC SHEET

TECHNICAL SPECIFICATIONS

THERMAL

Cooling:..... Convection
Maximum Ambient Temperature (Ta max): ... 40° C (104° F)
Minimum Ambient Temperature (Ta min):..... -30° C (-22° F)
Maximum Surface Temperature,
steady state, at 40° C ambient: 76° C (169° F)
Typical Heat Dissipation: 818 BTU/hr.
(including connected fixtures, calculated, +/- 10%)

ENVIRONMENTAL

RoHS:..... Compliant
REACH: Compliant
WEEE: Compliant
Proposition 65: Compliant
FSC:..... Certified cardboard inlay and
outer packaging

APPROVALS

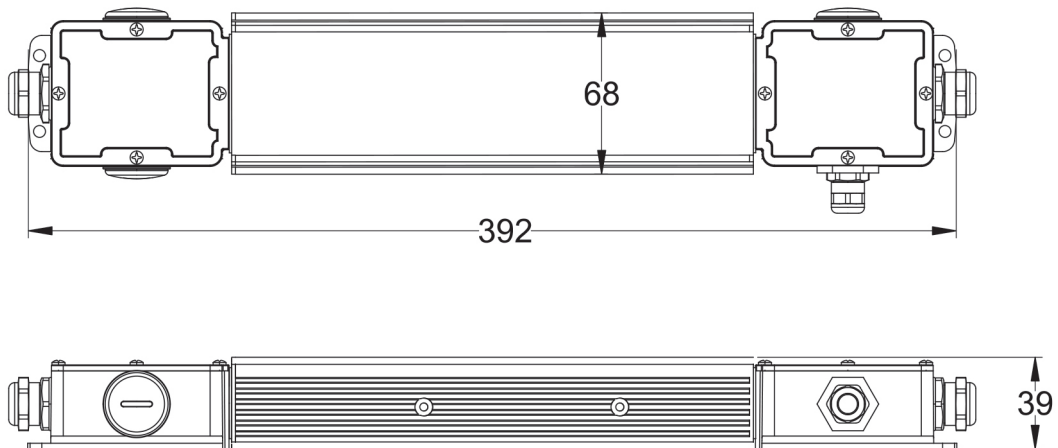
Global CB Certification/IECEE: IEC 62368-1
EU safety:..... EN 62368-1
EU EMC:..... EN 55032, EN 55035,
EN 61000-3-2, EN 61000-3-3
US safety:..... UL 62368-1
US EMC: FCC Part 15 Class B
Canadian safety:..... CSA C22.2 No. 62368-1
Canadian EMC: ICES-003 Class B
Australia/NZ:..... RCM
United Kingdom: UKCA



DIMENSIONS

PHYSICAL

Length 420.0 mm (16.5 in.)
Width 86.0 mm (3.4 in.)
Height 39.0 mm (1.5 in.)
Weight 1.6 kg (3.6 lbs.)



All measurements are in mm

DCE PSU 240 IP

INDOOR/OUTDOOR POWER SUPPLY UNIT FOR MARTIN CREATIVE LED FIXTURES

SPEC SHEET

CONNECTIONS



P3 POWERPORT FAMILY COMPARISON

	P3 PowerPort 2000	P3 PowerPort 500 IP Rental	P3 PowerPort 500 IP Install	DCE PSU 240 IP
Output Capacity	4 x 480 W	1 x 480 W	1 x 480 W	1 x 240 W
Output Power Control	Full / Half / Hibernation	Full / Half / Hibernation	Full / Half / Hibernation	-
Input / Output	Connectors	Connectors	Cable Glands & Wiring Terminals	Cable Glands & Wiring Terminals
Control	Art-Net, sACN & Martin P3	Art-Net, sACN & Martin P3	Art-Net, sACN & Martin P3	Art-Net, sACN & Martin P3
Daisy-Chaining	Yes	Yes	Yes	No
Local Status Indication	Status Indication LEDs	Status Indication LEDs	Status Indication LEDs	-
Local Test Function	Multi-Function Pushbutton	Multi-Function Pushbutton	Multi-Function Pushbutton	-
Environmental Rating	IP20	IP65	IP66	IP66
Installation	Rack / Truss / Wall	Rack / Truss / Wall	Wall	Wall
Size	482 x 44 x 375 mm (19" rack-mount 1U)	217 x 44 x 365 mm (19" rack-mount 1/2U)	325 x 84 x 385 mm	420 x 39 x 86 mm
Weight	6.8 kg (15.0 lbs)	3.5 kg (7.7 lbs)	9.5 kg (20.9 lbs)	1.6 kg (3.6 lbs)