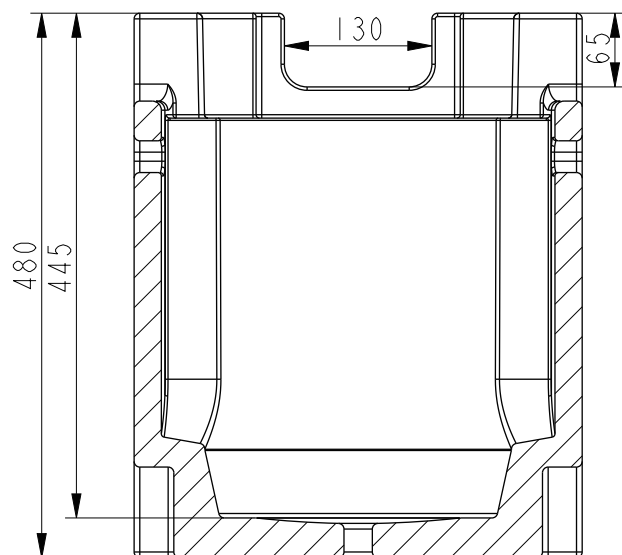
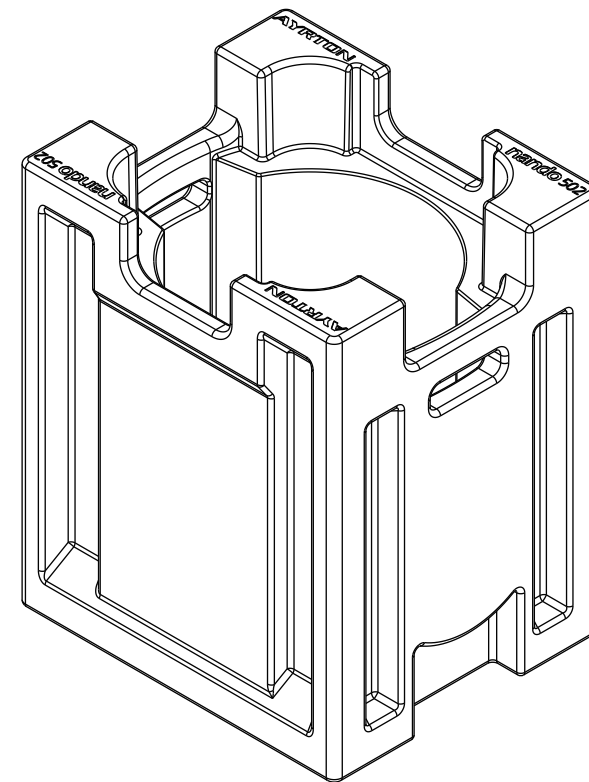
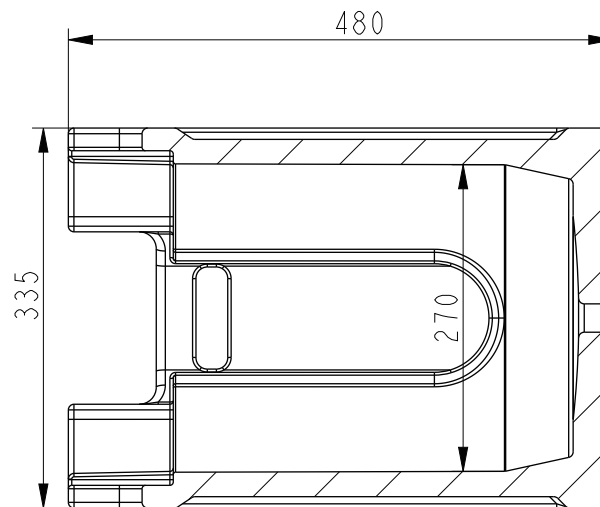
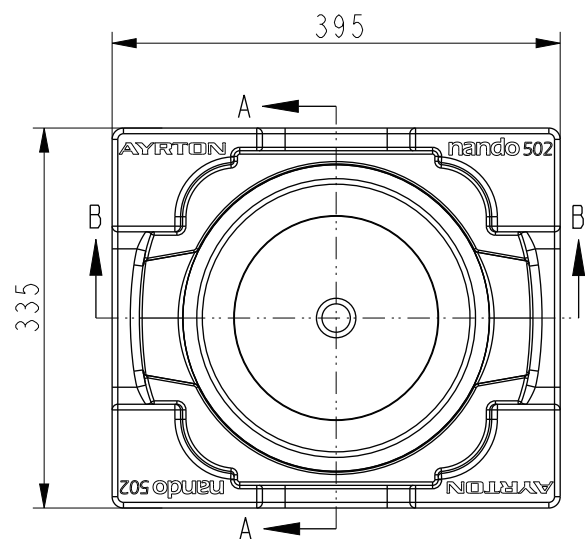



Dimension tolerance (millimetre)	Version
± 5	1.0



Indice	Date	Created by	Modification :	Approved on	Approved by
Logiciel :		Observation : -			
Project: S23			Project Name :	Code:	 AYRTRON Digital Lighting www.ayrton.eu
A4			Scale: 1/7	Material:	