

# LEDko EXT FullSpectrum RGBLA +

Product code:  
F129T001A

Last update:  
26/02/2024



## LEDko EXT FullSpectrum RGBLA +

### Introducing

● Outdoor LED profile fixture. This IP 65 rated fixture replicates the performance of the indoor version. It comes in different fixed versions of CCT (3.200 K or 5.600 K) or FullSpectrum color (RGBLA). The LEDko EXT includes a four blade framing system with gobo holder and zoom lens system ranging from 14° to 35°, 10° to 25° or from 30° to 60° and optic 80°; bare ends power input cable and in/out 5 pin XLR IP 65 rated connectors for the DMX signal. The display is lockable thanks to a freely selectable security pin code. Designed with new electronic and a new OLED display, this spot profile projector is the evolution of the FullSpectrum. The + electronic with advanced LED controller enables a smooth dimming and it offers and higher luminous efficiency.

### Key Features

- RGBLA color mixing with hue and saturation control
- CCT proportional control from 2.700 K to 6.500 K
- LED Profile Spot IP65 for permanent Outdoor installation
- Profile zoom from 14° to 35°, 10° to 25°, 30° to 60° and optic 80°
- Four blade framing system, each shutter blade is adjustable for radial position and angle
- Internal gobo holder
- Die-cast aluminium (Anti-Salt treatment)
- Custom color on request (optional)

General	
● LED Source	RGBLA LEDs module (Red, Green, Blue, Lime, Amber color mixing with hue and saturation control)
● CCT Range	●●●●● Proportional control 2.700 K → 6.500 K
● Color Rendition Average	CRI > 85
● Dimming	8 or 16 bit, 5 selectable curves: Exponential, Logarithmic, Linear, Halo and Standard
● Dimming Smooth Selection	Fast, Slow and Very Slow
● Strobe	Pulse electronic strobe
● Available Optics	Zoom from 14° to 35° or from 10° to 25° - 30° to 60° and optic 80°
● Camera flicker control/Hz range	Yes, from 600 Hz to 20.000Hz
● Calibrated Cob	Yes
● L80 Rating (hours to 80% output)	50.000 Hours
● Pattern projection	Yes
● Pattern size	A or B Gobo outside diameter= 86 mm / 3.38 in Max image diameter= 64.5 mm / 2.53 in
Electrical	
● Voltage Input	80-264 V, 50/60 Hz, auto-sensing
● Power Consumption	250 W Maximum - 1.16 A at 230 W, 2.34 A at 115 W - cosφ 0.93
● Power Connection	1.5 m Integral cable Bare Ends
● Data Connection	In/Out IP65 DMX Signal Junction Connector (Cod Art. RCN 73)
Thermal	
● Ambient Operating Temperature	-40°C - +40°C (-40°F - + 104° F)
● Fan (controllable)	Yes, 4 different settings: Silent, Studio, Auto, DMX Regulated
Control	
● Protocols	DMX-512, RDM (Remote Device Management), Wireless (optional by LumenRadio)
● RDM	DMX Setup, Fixture Status, RDM Commands
● DMX Channels	16 / 7 / 1 / Studio mode / RGB mode
● Display	Graphic OLED
● Software upload	Through DMX input (With RDM interface code AC10011A001)
Physical	
● Mounting Options	Yoke
● Materials	Die-cast aluminum (Anti-Salt treatment)
● Framing System	Four blade framing system, each shutter blade is adjustable for radial position and angle
● EPA	Projector front area: 41599.2 sq.mm (0.4476 sq.ft), projector side area: 192211 sq.mm (2.0689 sq.ft)
● IP Rating	IP65
● Color options	Black, custom color on request (optional)
Optics	
BC10029A002	Profile Zoom 10°-25°
BC10029A000	Profile Zoom 14°-35°
BC10029A004	Profile Zoom 30°-60°
BC10029A005	Lens Tube Profile 80°
General accessories	
BC10028A000	Removable four blade framing system with gobo holder
BC10029A003	Frame Holder (included)
BC10029A100	LEDko EXT DMX wireless kit
RME34/G	DMX end of line closure cap (indispensable for the last projector of the line)

**16 Channels**

- 01 → Master Dimmer
- 02 → Red
- 03 → Green
- 04 → Blue
- 05 → Spare Channel
- 06 → Lime
- 07 → Amber
- 08 → Strobe
- 09 → Dimmer Fine
- 10 → Special Functions
- 11 → Red Tone
- 12 → Green tone
- 13 → Blue Tone
- 14 → White Tone
- 15 → Green Saturation
- 16 → Saturation

**7 Channels**

- 01 → Master Dimmer
- 02 → Red
- 03 → Green
- 04 → Blue
- 05 → Spare Channel
- 06 → Lime
- 07 → Amber

**1 Channel**

- 01 → Master Dimmer

**Studio Mode**

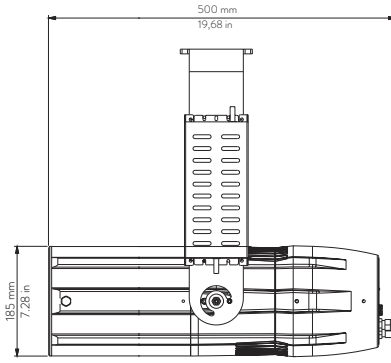
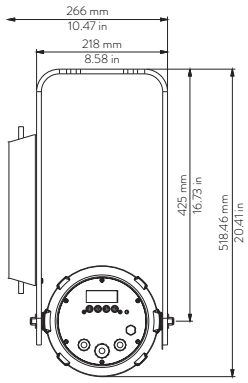
- 01 → Master Dimmer
- 02 → White Tone
- 03 → Green Saturation
- 04 → Saturation
- 05 → Hue
- 06 → Dimmer Fine
- 07 → Special Functions

**RGB Mode**

- 01 → Master Dimmer
- 02 → Dimmer Fine
- 03 → Red
- 04 → Green
- 05 → Blue
- 06 → White Tone
- 07 → Saturation
- 08 → Strobe Effect

Drawing Size

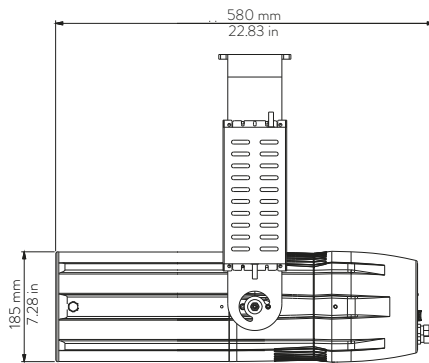
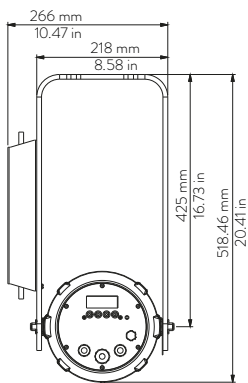
LEDko EXT 80° Optic



Length	Width	Height	Weight
500 mm	252.6 mm	185 mm	15.1 Kg
19.68 in	9.94 in	7.28 in	33.28 lbs

With  
bracket:  
518.46 mm  
20.41 in

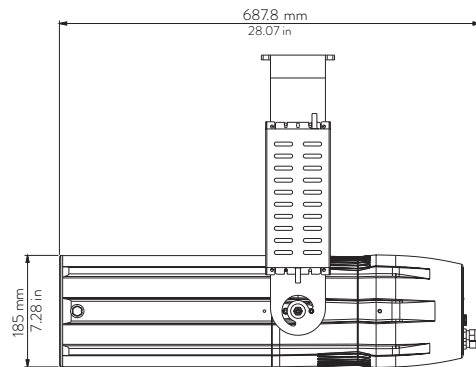
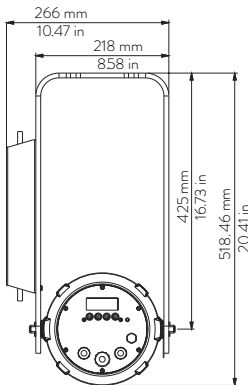
LEDko EXT 30°-60° Zoom



Length	Width	Height	Weight
580 mm	252.6 mm	185 mm	15.6 Kg
22.83 in	9.94 in	7.28 in	34.39 lbs

With  
bracket:  
518.46 mm  
20.41 in

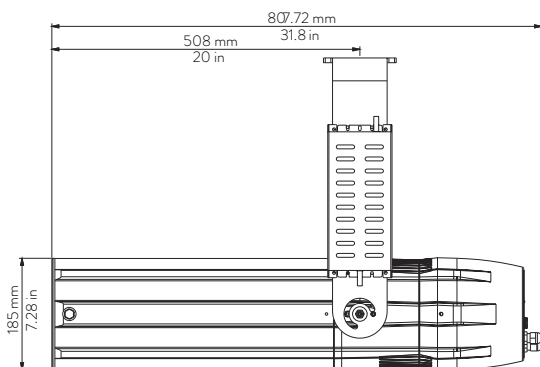
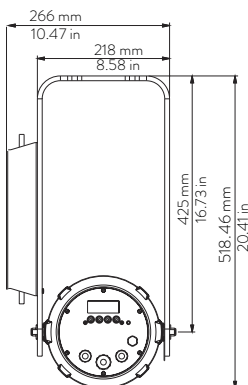
LEDko EXT 14°-35° Zoom



Length	Width	Height	Weight
687.8 mm	252.6 mm	185 mm	16.9 Kg
27.07 in	9.94 in	7.28 in	37.25 lbs

With  
bracket:  
518.46 mm  
20.41 in

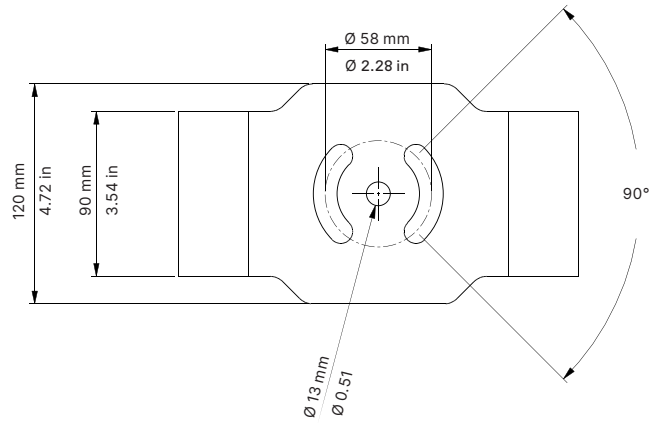
LEDko EXT 10°-25° Zoom



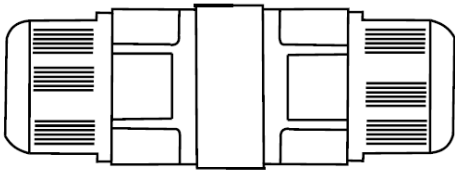
Length	Width	Height	Weight
807.7 mm	252.6 mm	185 mm	18 Kg
31.8 in	9.94 in	7.28 in	39.68 lbs

With  
bracket:  
518.46 mm  
20.41 in

Mounting yoke attachment point



DMX Signal Junction Connector



Specification

- DMX 512 STANDARD:
- Pin 1 = Ground Wire
- Pin 2 = Negative (Black)
- Pin 3 = Positive (White)



House of Worship - Church tower, Chieri, Italy

Product	LEDko EXT FS
CCT	RGBLA
CRI	>95
Optical	Zoom 17°-38°
Light Designer	Simona Cosentino



House of Worship - Church tower, Chieri, Italy

Product	LEDko EXT FS
CCT	RGBLA
CRI	>95
Optical	Zoom 17°-38°
Light Designer	Simona Cosentino



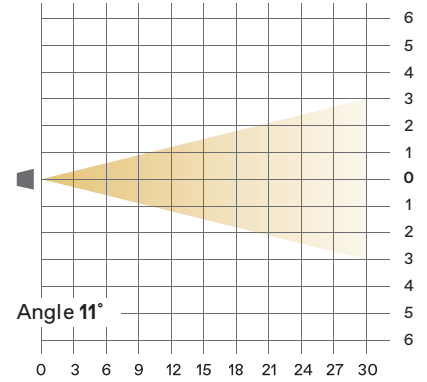
Architectural Outdoor - Town Hall of Nichelino, Turin, Italy

Product	LEDko EXT FS
CCT	RGBLA
CRI	CRI > 85
Version	Zoom 14°-35°
Light Designer	Simona Cosentino
Installation	Vitech sr
Photo Credit	Ferdinando Vella

### LEDko EXT RGBLA Zoom Profile 10°-25°

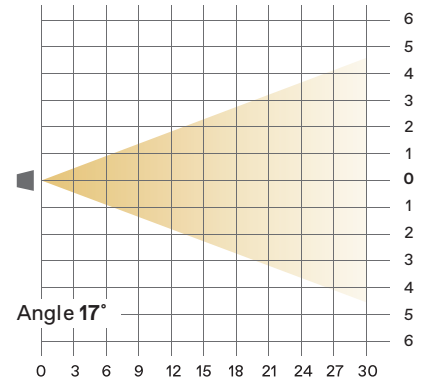
#### Optic: Minimum Zoom

Distance(m)		3	6	9	12	15	18	21	24	27	30
lux	RED	4.994	1.248	555	312	200	139	102	78	62	50
	GREEN	10.738	2.684	1.193	671	430	298	219	168	133	107
	BLUE	2.288	572	254	143	92	64	47	36	28	23
	LIME	25.213	6.303	2.801	1.576	1.009	700	515	394	311	252
	AMBER	13.531	3.383	1.503	846	541	376	276	211	167	135
	FULL	35.350	8.838	3.928	2.209	1.414	982	721	552	436	354
	3.200K	35.719	8.930	3.969	2.232	1.429	992	729	558	441	357
	5.600K	35.813	8.953	3.979	2.238	1.433	995	731	560	442	358
Diameter Ø (m)		0,58	1,16	1,73	2,31	2,89	3,47	4,04	4,62	5,20	5,78
lux	3.200K	CRI 91.4	TLCI 85								
	5.600K	CRI 91.2	TLCI								



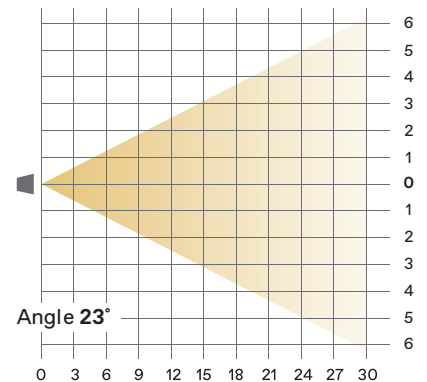
#### Optic: Medium Zoom

Distance(m)		3	6	9	12	15	18	21	24	27	30
lux	RED	2.413	603	268	151	97	67	49	38	30	24
	GREEN	4.406	1.102	490	275	176	122	90	69	54	44
	BLUE	900	225	100	56	36	25	18	14	11	9
	LIME	10.763	2.691	1.196	673	431	299	220	168	133	108
	AMBER	5.775	1.444	642	361	231	160	118	90	71	58
	FULL	14.863	3.716	1.651	929	595	413	303	232	183	149
	3.200K	15.125	3.781	1.681	945	605	420	309	236	187	151
	5.600K	15.506	3.877	1.723	969	620	431	316	242	191	155
Diameter Ø (m)		0,90	1,79	2,69	3,59	4,48	5,38	6,28	7,17	8,07	8,97
lux	3.200K	CRI 91.4	TLCI 85								
	5.600K	CRI 91.2	TLCI 84.4								



#### Optic: Maximum Zoom

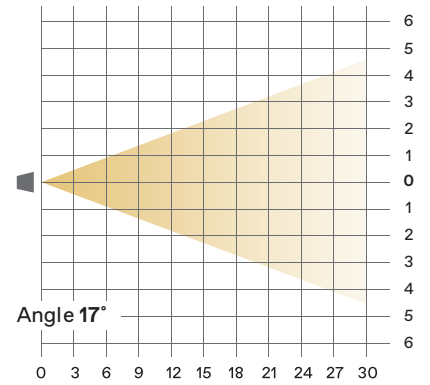
Distance(m)		3	6	9	12	15	18	21	24	27	30
lux	RED	1.075	269	119	67	43	30	22	17	13	11
	GREEN	2.294	573	255	143	92	64	47	36	28	23
	BLUE	469	117	52	29	19	13	10	7	6	5
	LIME	6.056	1.514	673	379	242	168	124	95	75	61
	AMBER	3.244	8.11	360	203	130	90	66	51	40	32
	FULL	7.613	1.903	846	476	305	211	155	119	94	76
	3.200K	7.950	1.988	883	497	318	221	162	124	98	80
	5.600K	8.306	2.077	923	519	332	231	170	130	103	83
Diameter Ø (m)		1,22	2,44	3,66	4,88	6,10	7,32	8,54	9,77	10,99	12,21
lux	3.200K	CRI 91.4	TLCI 85								
	5.600K	CRI 91.2	TLCI 84.4								



### LEDko EXT RGBLA Zoom Profile 14°-35°

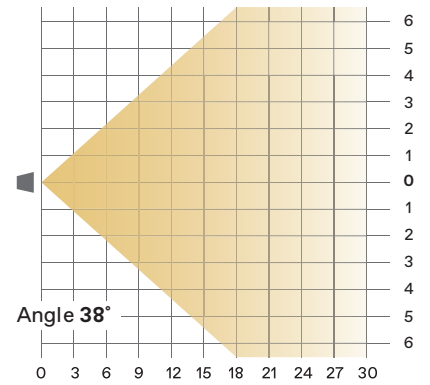
Optic: **Minimum Zoom**

Distance(m)		3	6	9	12	15	18	21	24	27	30
lux	<b>FULL</b>	12.488	3.122	1.388	780	500	347	255	195	154	125
	<b>3.200K</b>	13.038	3.259	1.449	815	522	362	266	204	161	130
	<b>5.600K</b>	13.806	3.452	1.534	863	552	384	282	216	170	138
<b>Diameter Ø (m)</b>		0,90	1,79	2,69	3,59	4,48	5,38	6,28	7,17	8,07	8,97



Optic: **Maximum Zoom**

Distance(m)		3	6	9	12	15	18	21	24	27	30
lux	<b>FULL</b>	3.356	839	373	210	134	93	68	52	41	34
	<b>3.200K</b>	3.694	923	410	231	148	103	75	58	46	37
	<b>5.600K</b>	3.813	953	424	238	153	106	78	60	47	38
<b>Diameter Ø (m)</b>		2,07	4,13	6,20	8,26	10,33	12,40	14,46	16,53	18,59	20,66



● Coemar Lighting S.r.l.

Via Carpenedolo, 90  
46043, Castiglione delle Stiviere (MN) – Italy

P. +39 0376 1514412

M1. info@coemar.com

M2. service@coemar.com

W. coemar.com

P.iva – C.f. 02415330204

