



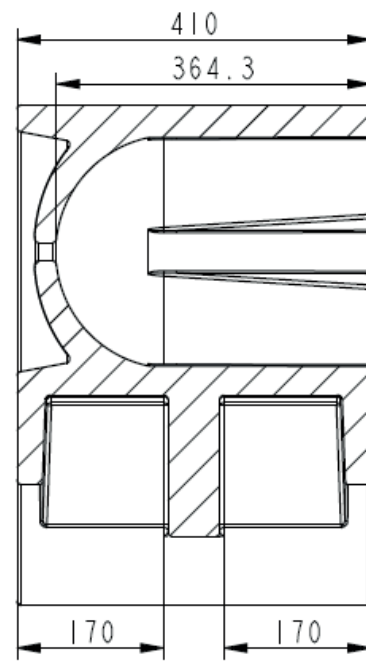
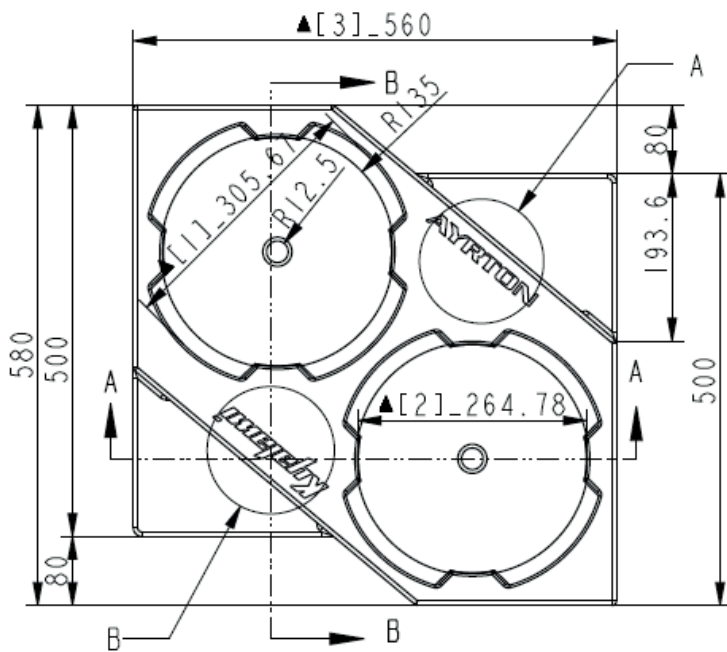
# KYALAMI

## PU FOAM

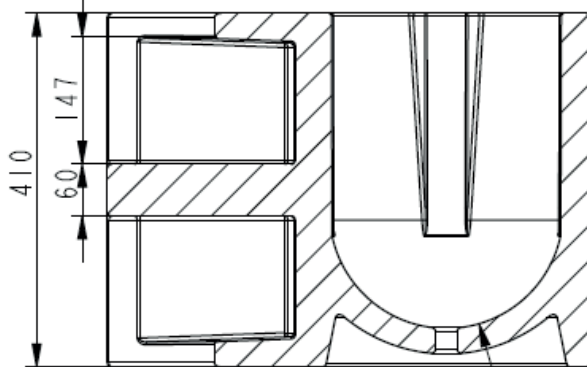


**AYRTON**  
Digital Lighting

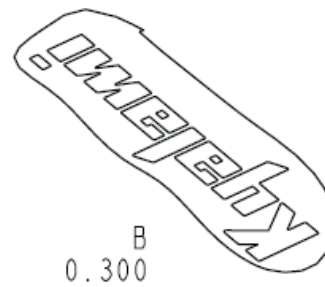
# KYALAMI



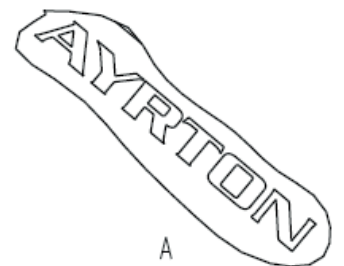
B-B



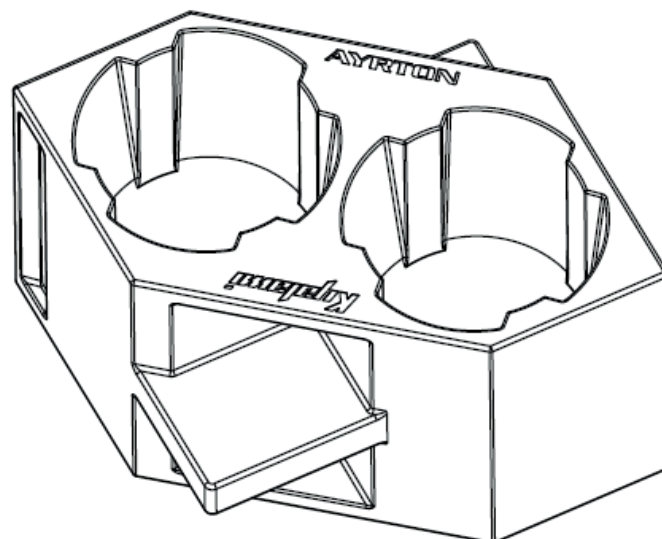
A-A

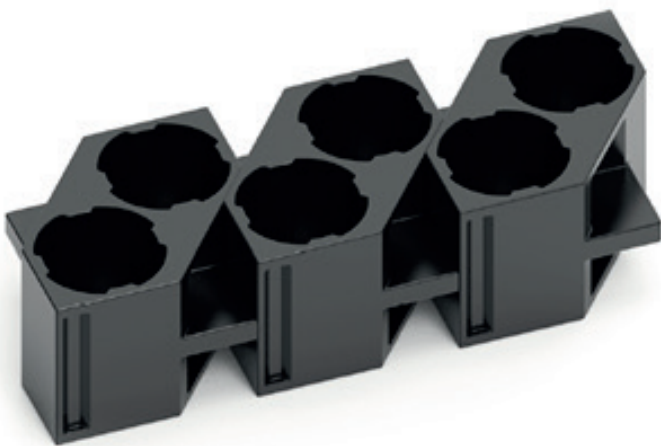
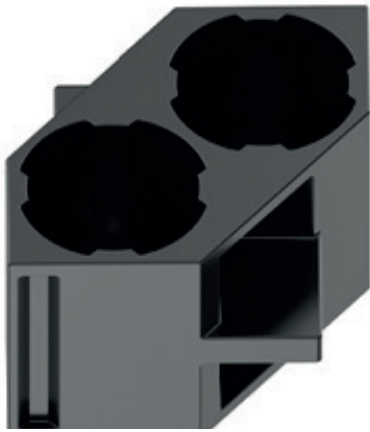
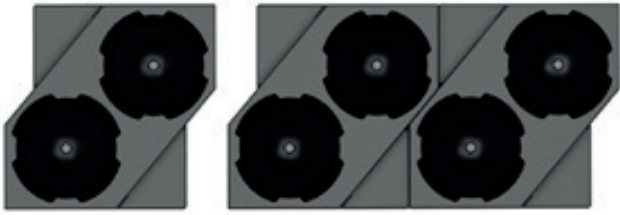


B  
0.300

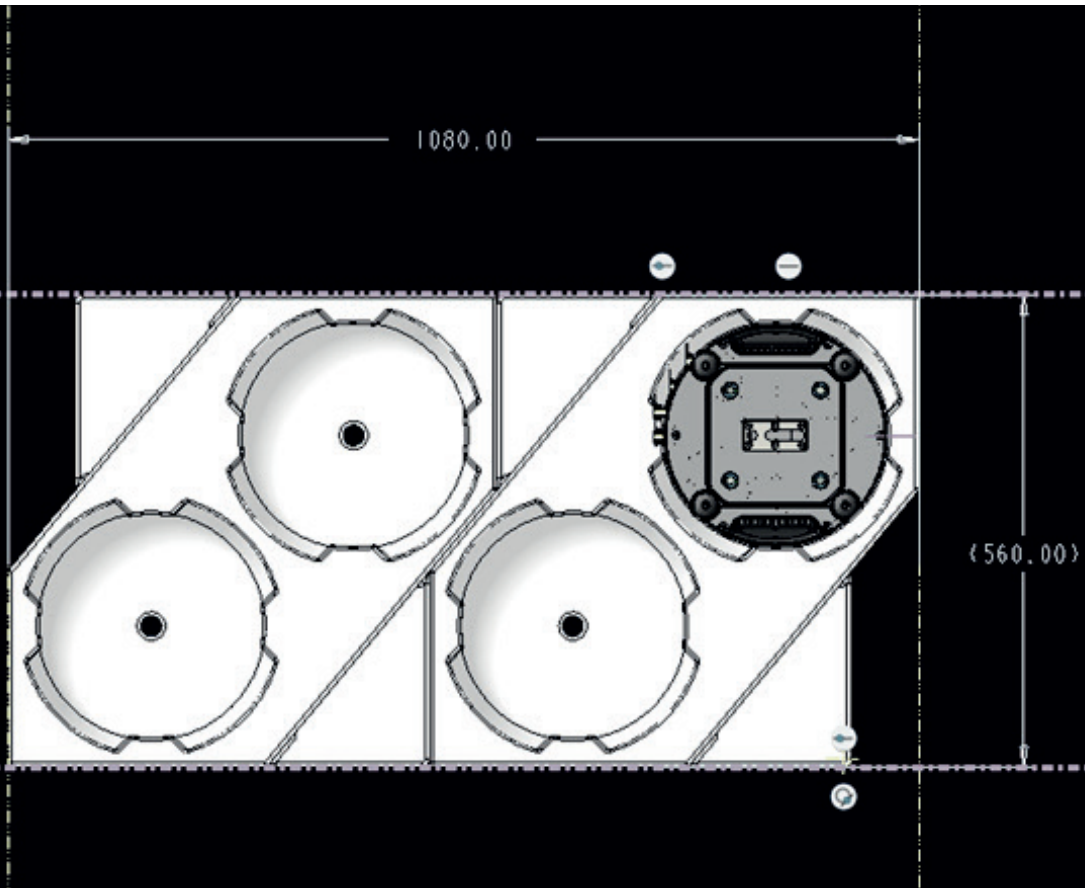
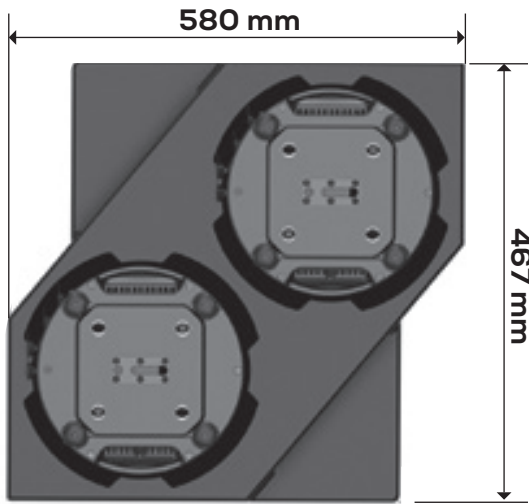


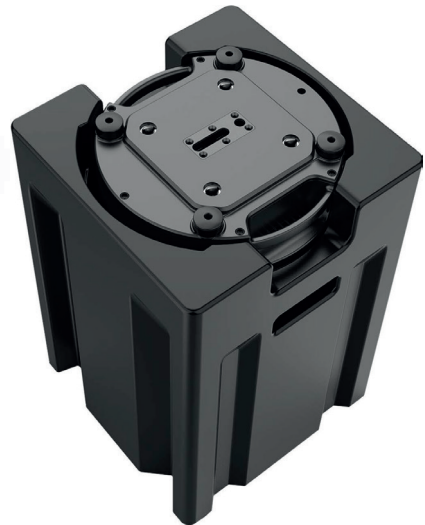
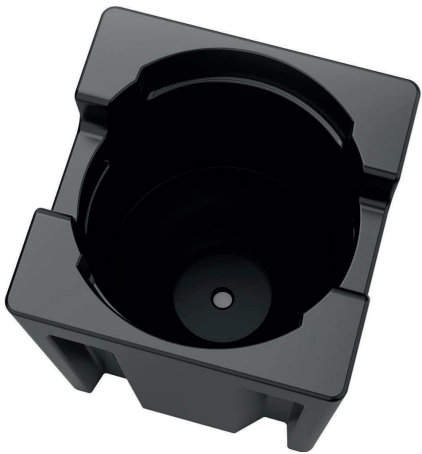
A  
0.300

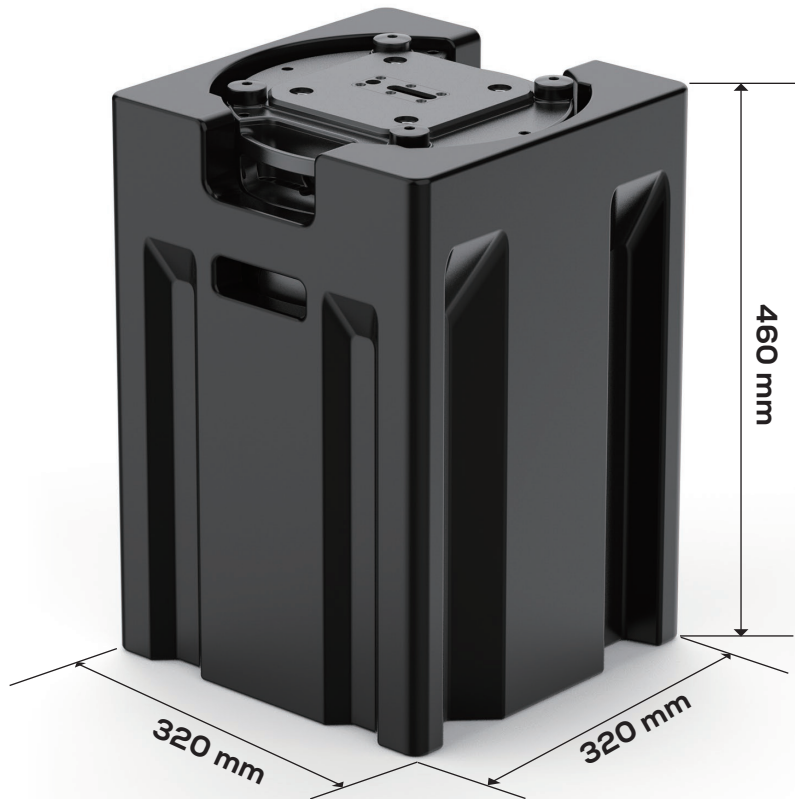




# KYALAMI









**AYRTON**  
Digital Lighting