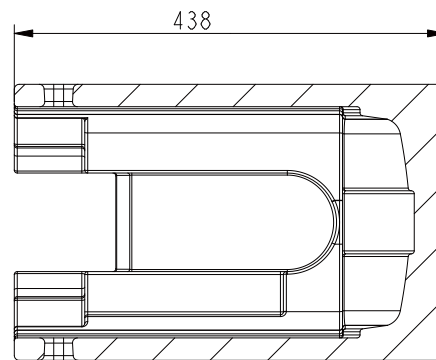
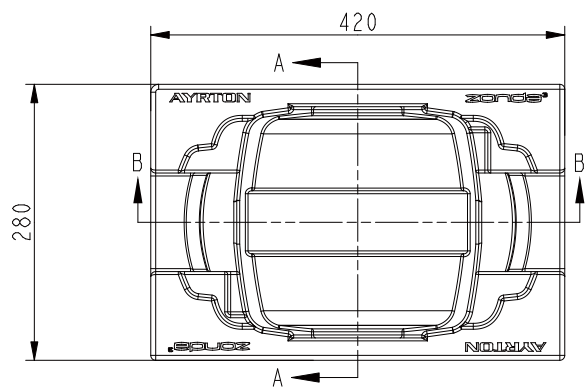
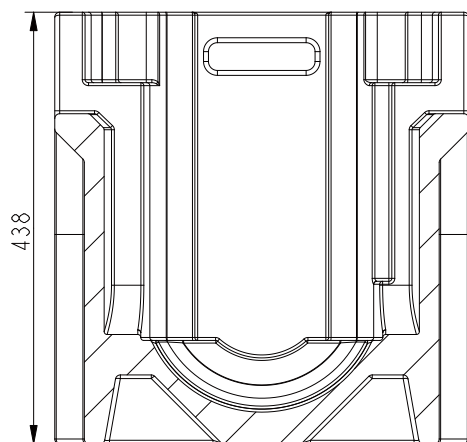
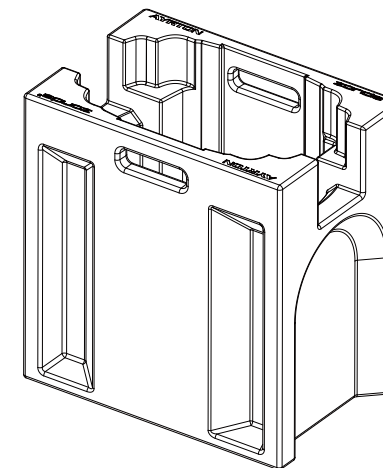



Dimension tolerance (millimetre)	Version
± 5	1.0



Section:A-A



Section: B - B

Indice	Date	Created by	Modification :	Approved on	Approved by
Logiciel :		Observation : -			
Project: S17		Project Name :		Code:	
A4				Scale: 1/5	
				Material:	